



ACD-1500

Atmospheric/Centrifugal Degasser



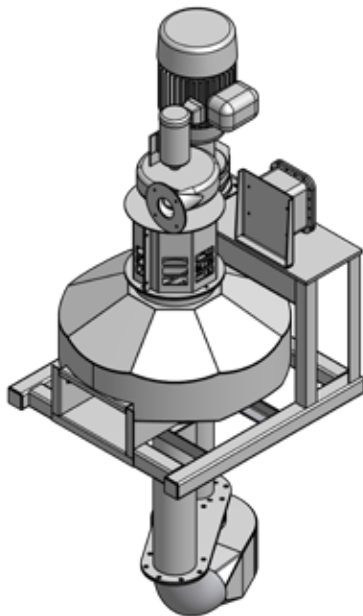
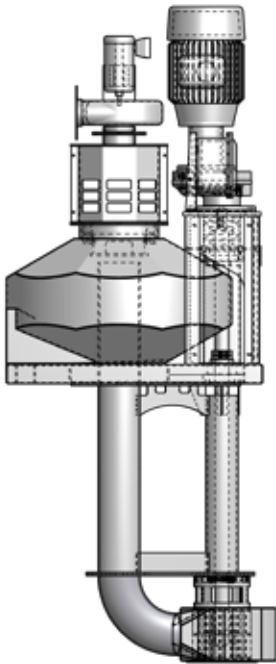
SELF CONTAINED, IN-TANK CONFIGURATION

DE-ACD 1500 Atmospheric/Centrifugal Degasser

- Maximum capacity 1500 GPM
- Self contained unit

The Derrick ACD-1500 Atmospheric/Centrifugal Degasser is a unique in-tank alternative to the standard Derrick vacuum style degasser VDG 1200.

The Derrick ACD-1500 Atmospheric/Centrifugal Degasser agitates mud through a submerged 12" pump impeller relying on impact and turbulence to enable the separation of gas from the fluid. Strike plate adjustment of 0.25" to 1.25" allows variable flow capacity.



MOTOR	
Power	25 HP (18.7 kW)
Classifications	Class 1, Groups C, D
	Class 2, Groups E, F, G
Motor to Pump	Direct Drive

EXHAUST FAN (OPTIONAL)	
Power	1/2 HP (0.37 kW)
Outlet Flange (diameter)	5" (127mm) Inside
	11" (279mm) Outside

DIMENSIONS	
Weight	2775 lbs (1259 kgs)
Overall	137 3/8"H x 55 9/16"W x 48 11/16"L (3489mm x 1411mm x 1236mm)
Above Tank	77 7/8"H x 55 11/16"W x 48 11/16"L (1977mm x 1411mm x 1236mm)
Pump	Double Suction
	6" (152mm) Inlet
	8" (203mm) Outlet
Impeller	12" (304mm) (outside diameter)
	6" (152mm) (inside diameter)
	10"H (254mm)
Fluid Outlet Flange	9 11/16"H (246mm) x 17 1/4"W (438mm)
	2 1/4" (outside frame)



15630 Export Plaza Drive • Houston, Texas 77032
 Toll Free: (866) DERRICK
 Phone: (281) 590-3000 • Fax: (281) 442-6948
 E-mail: derrick@derrickequipment.com
 Website: www.DerrickEquipment.com